

Dust filter cartridge 328 NK Quick-Lock

Ø 328 mm, fastened with spring clips

1. Features

The Filtration Group Quick-Lock dust filter cartridge is designed for quick and easy mounting, with only a minimal clearance required for installation and dismantling. The conical shape is the outcome of the cartridge's superior strength and flow behaviour. Its performance has been significantly enhanced by the improved cleaning power

Characteristics

- High volume flows
- Optimized flow conditions
- Improved cleaning properties
- Easy mounting
- Minimal clearance required
- Worldwide distribution



2. Technical data

Materials

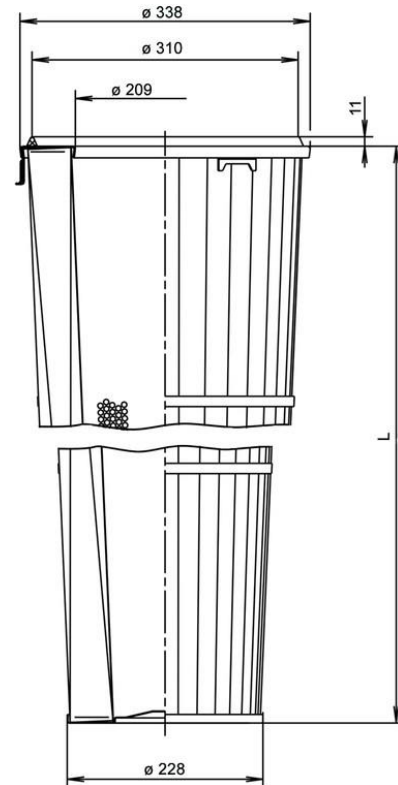
Inner core:	Galvanized steel
End caps:	Galvanized steel
Seal:	Soft PUR material
Filter material:	Ti 07/1 - Electrostatic conductive polyester fleece with PTFE membrane
	Ti 08 - Electrostatic conductive polyester fleece
	Ti 15 - Polyester fleece
	Ti 19/2 - Cellulose/polyester carrier with Polypropylen meltblown
	Ti 56/2 - Polyester fleece with PTFE membrane
	other filter media on request

Cleaning

Nozzle:	Multi-jet nozzle G1
Cleaning pressure:	4 bar - 6 bar (max. 7 bar)
Differential pressure:	max. 15 mbar

Technical data is subject to change without notice!

Compressed air consumption		
Type designation	Pressure vessel capacity [l]	Compressed air consumption per cleaning pulse [l] (i.N.)
852 052 Ti ...	16	approx. 50
852 062 Ti ...	32	approx. 80
852 032 Ti ...	32	approx. 90



3. Order numbers

Order number	Type designation	Length L [mm]	Filter material	Filter surface [m ²]	Max. vol. flow* [m ³ /h]	Max. operating temperature [°C]	Electrostatic conductive
70308668	852 052 Ti 07-7.5	600	Ti 07/1	7.5	900	90	yes
70308670	852 052 Ti 08-7.5		Ti 08		700		
70308673	852 052 Ti 15-7.5		Ti 15				
70308678	852 052 Ti 19-7.5		Ti 19/2				
70308675	852 052 Ti 56-7.5		Ti 56/2		900		
70308725	852 062 Ti 07-12.5	985	Ti 07/1	12.5	1200		yes
70302873	852 062 Ti 08-12.5		Ti 08		1100		
70308734	852 062 Ti 15-12.5		Ti 15				
70308739	852 062 Ti 19-10		Ti 19/2				10
70308736	852 062 Ti 56-12.5		Ti 56/2		12.5		1200
70302463	852 032 Ti 07-15	1166	Ti 07/1	15	1600	yes	
76360564	852 032 Ti 08-15		Ti 08		1400		
70302466	852 032 Ti 15-15		Ti 15				
70302470	852 032 Ti 19-12		Ti 19/2			12	
70302467	852 032 Ti 56-15		Ti 56/2		15	1600	no

* These values may vary depending on the nature of the dust and the composition of the gas.

4. Installation

The dust filter cartridge can be installed and removed on the dirty side with spring clips (Quick-Lock system - no tools required). The spring clips should be fastened to the filter plate as shown in the drawing.

*1 = Filter element holder
*2 = Fixing clip

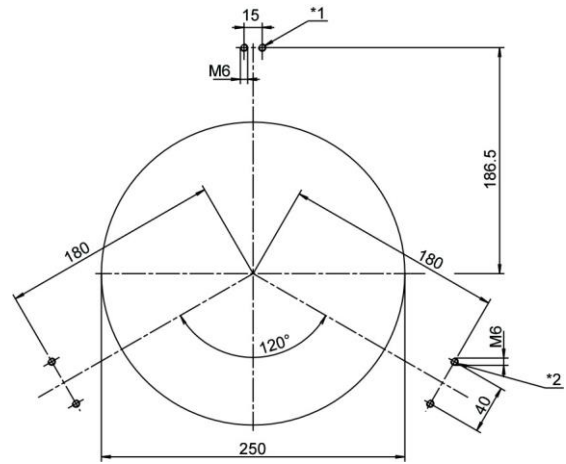


Fig. 1

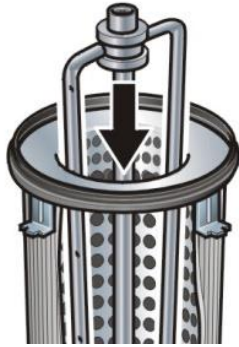


Fig. 2

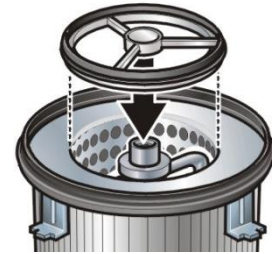


Fig. 3



Fig. 4

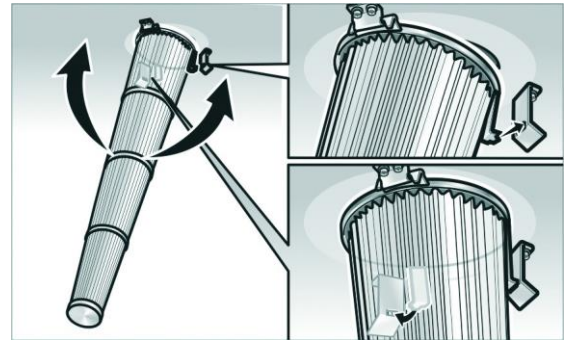


Fig. 5

5. Accessories

Order number	Designation
76956668	Quick-Lock fastening set - 1x (1 filter element holder, 2 fixing clips, screws)
76956676	Quick-Lock fastening set - 10x
70304809	MJD-32 00 ROH A1 Quick-Lock cleaning unit (Multi-jet nozzle G1, double nipple 1", tripod, screws)

6. Cleaning

Two cleaning systems are available for conical dust filter cartridges with a diameter of 328 mm.



Filtration Group multi-jet nozzle

The optimized geometry of the multi-jet nozzle guarantees excellent cleaning results with a significantly lower noise level. The multi-jet nozzle is available from Filtration Group in aluminium or stainless steel. It can also be purchased as part of the Filtration Group MJD cleaning unit, comprising the nozzle, a tripod and various small assembly components. The tripod maintains an optimum distance from the cartridge to ensure maximum cleaning efficiency.



Filtration Group conical rotating wing

The baffle plate closes during cleaning and the rotating wing begins to turn. The large number of pulsed air jets that are discharged from the wing elements guarantee gentle, uniform cleaning over the complete cartridge length. The simultaneous vibratory movement in the pleats generates a significant improvement in cleaning efficiency, particularly with critical dusts. Each pleat is cleaned several times. The filter life is optimized as a result of the rotating wing.

7. Design

Please contact us for detailed technical information, any open questions and for general expert advice. Completion of the relevant questionnaire would facilitate in the coordination of all important parameters.

Comprehensive documentation on our product range, cleaning units and cartridges can be provided.

Filtration Group GmbH
Schleifbachweg 45
D-74613 Öhringen
Phone +49 7941 6466-0
Fax +49 7941 6466-429
industrial.sales@filtrationgroup.com
industrial.filtrationgroup.com
70342683.07/2020

Dust filter element 328 NK Quick-Lock